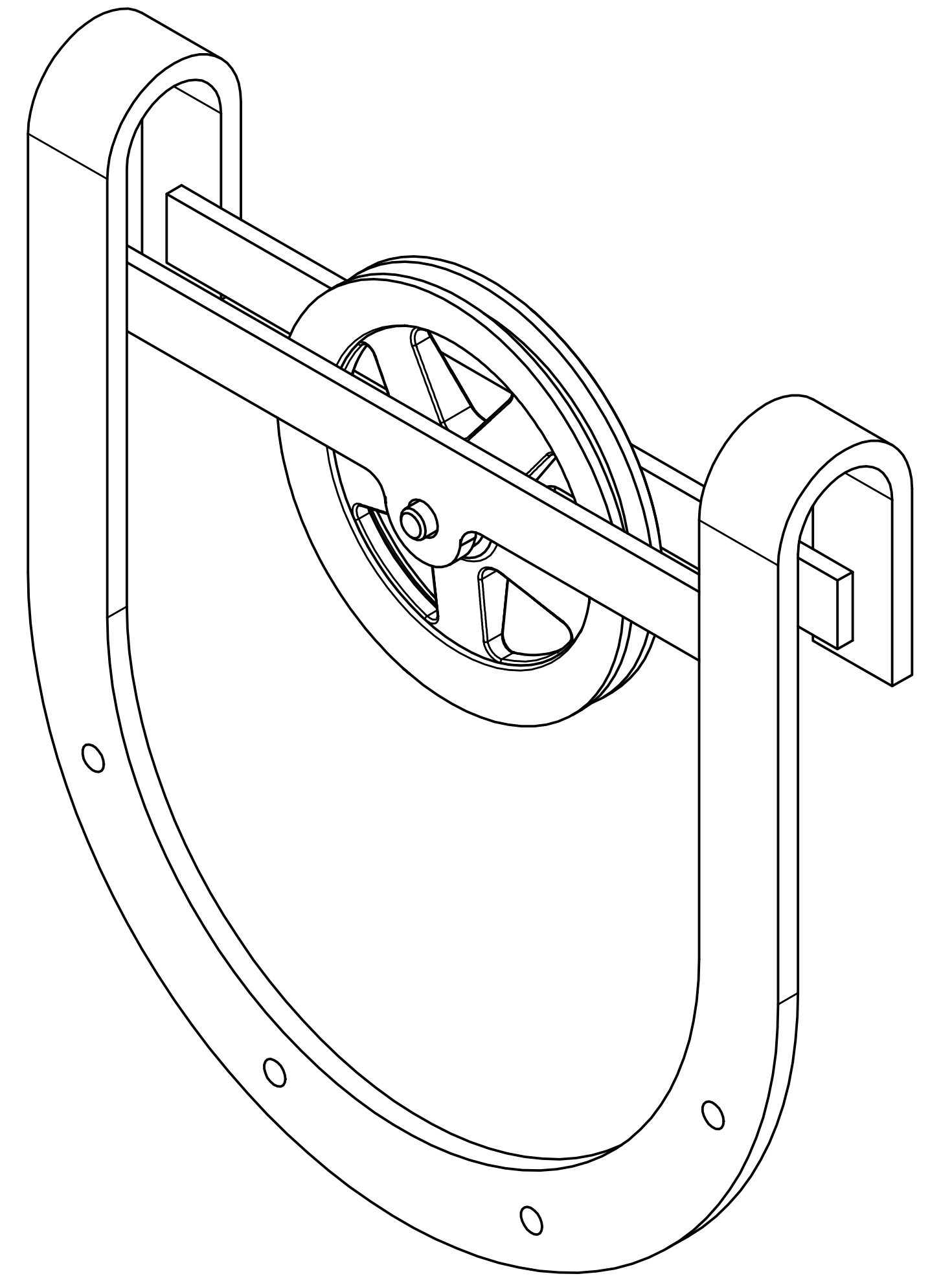
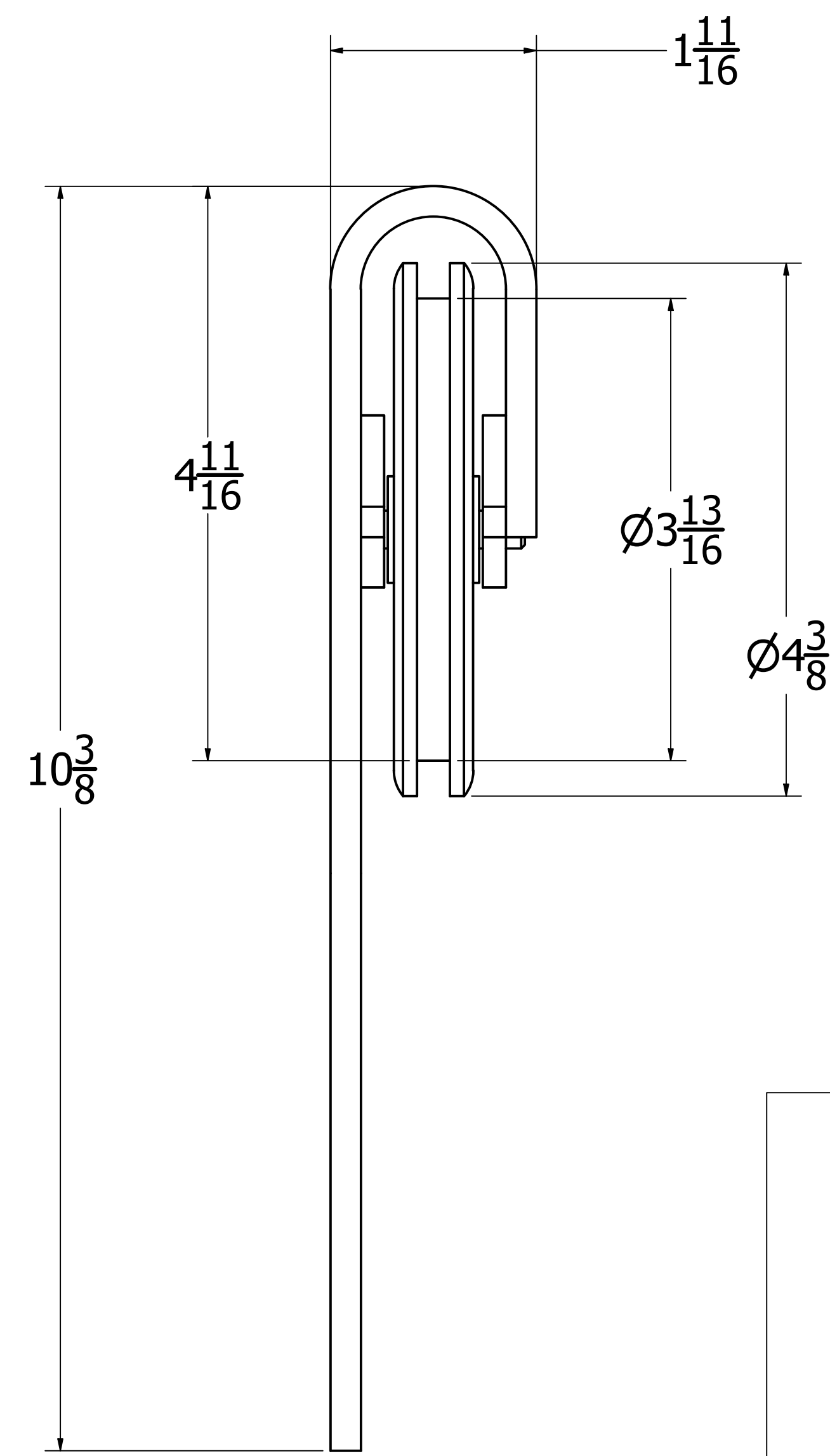


**NOTE: QTY 2**



**HARDWARE**

